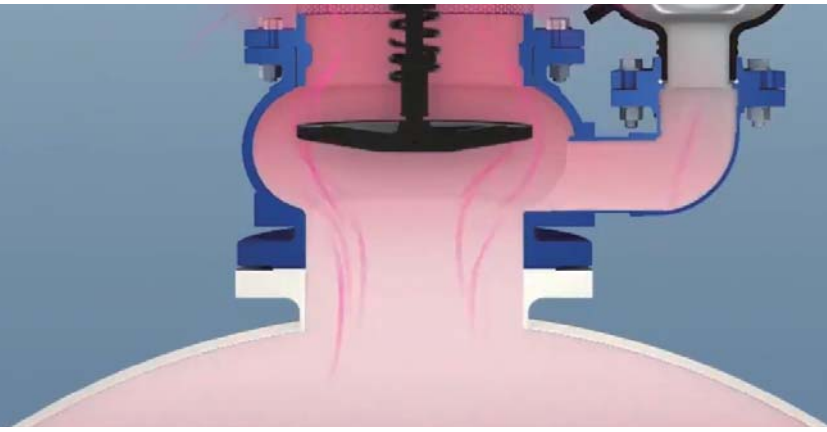


BREAKER

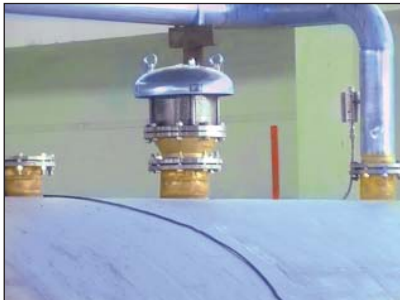
晟江真空破坏阀
VACUUM BREAKER



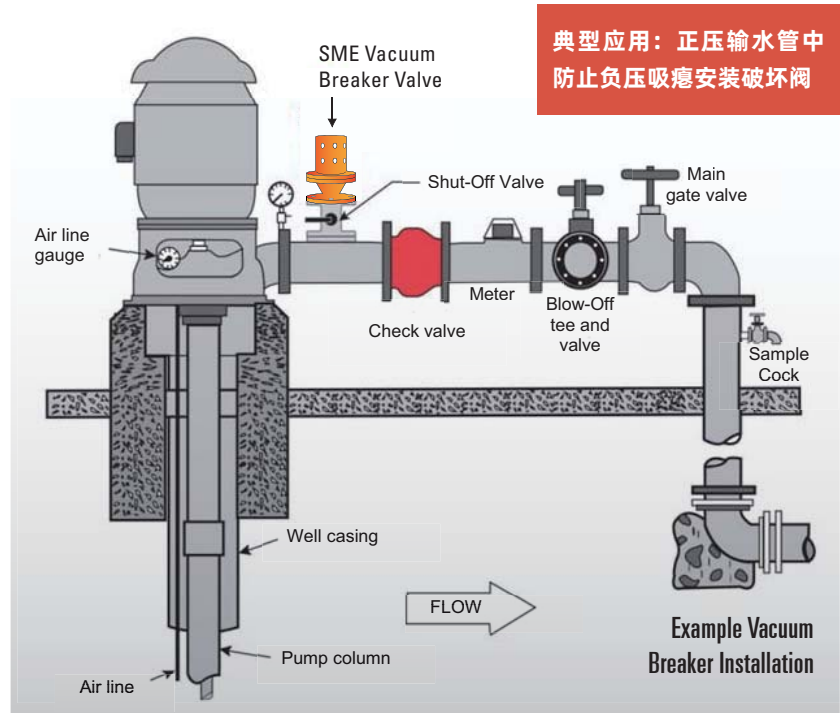
六分之一秒开启

先于罐体吸瘪前完成开启动作，破坏真空

Instantaneous air in for critical vacuum conditions



晟江真空破坏阀是防止管道或储罐受负压吸瘪的安全阀；安装在配水管道制高点，进气口朝下放置，可与泄压阀组合作安全设备组。



排水过快或泵机停转，管道产生负压→气动或电控阀瓣向下吸开→大气涌入→破坏真空→管道压力平衡后→阀瓣向上复位压紧→管道密封，防止管道或储罐被负压吸瘪，故它是保护管道安全运行不可缺少的重要设备。

- 1/6 秒瞬间开启
- 2 倍公称压力
- 插板式、滑板式
- DN600 超大口径
- 100% 正压密封
- 碳钢、不锈钢

SME vacuum breaker is designed to prevent vacuum conditions from occurring in pipes or tanks. It is mounted at critical pipeline high points and allows for rapid inflow of atmospheric air to reduce vacuum conditions in piping systems.

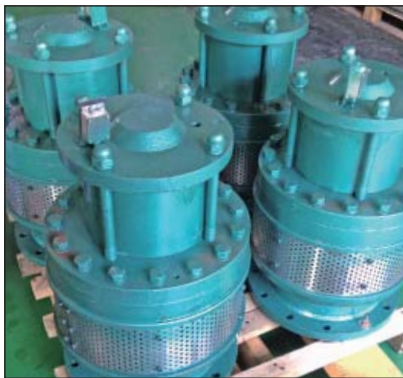
- Open within 1/6 sec
- Integrity 2 × PN
- Wedge Typed
- Large dia. DN600
- 100% Press. Sealing
- QT Steel, St. Steel



常超待机，随时启动

常开型待机方式，适合长期运行

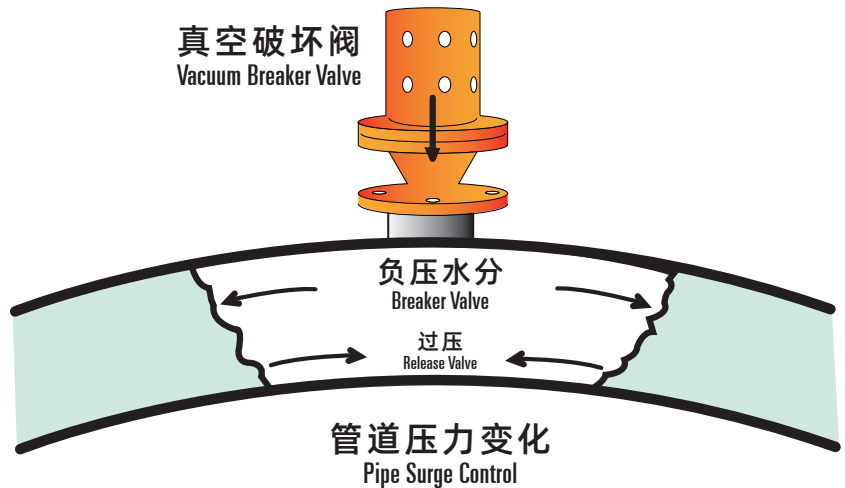
Longest stand-by and operation without fail



晟江真空破坏阀，是管道防负压吸瘪作用的安全阀。阀门水腔同输水主管道相连接，空气腔和大气相通。通过开 / 关阀实现断 / 通流作业。

开阀破坏真空：输水管道因排水过快、或泵机停转发生水分现象，大气与管道压差作用下，阀瓣向下吸开，水腔和空气腔的大气连通，破坏真空使得管道压力平衡。

关阀管道密封：输水管道或储罐负压消除，在蓄能弹簧作用下，阀瓣自动复位形成向上的压力密封。搭配泄压阀能在管道压力过高时，释放管道压力。



SME vacuum breaker is a safety valve. During critical vacuum conditions caused by power failure or rapid draining of the piping system, the pressure difference between the inside vacuum and outside air will cause a downward force on the valve disc.

At vacuum the disc will compress the spring and move downward allowing free flow of outside air into the pipe or tank to eliminate the vacuum. When positive pressure is restored in the pipe or tank, the valve will automatically close and seal tightly.

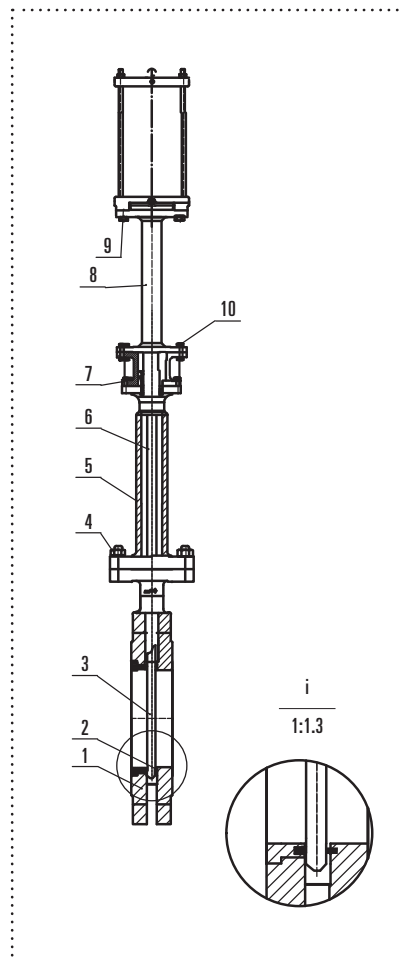
**气动真空破坏阀 HXQP
DN40-600**
**Pneumatic Vacuum Breaker
HXQP DN40-600**



晟江真空破坏阀由我司自行研制，原理与设计及制造按 JB/T8691-1998 标准有关规定，检验和试验按 GB/T13927-2005 标准。

SME vacuum breaker series are designed and produced in compliance with manufacturer's standard, within framework of standard JB/T8691-1998, test and inspection per GB/T13927-2005.

结构长度	GB/T15188.2-94	Magnet energization	100%
法兰连接尺寸	JB/T79-94	Rated power	220V AC 50Hz
阀门设计制造	JB/T8691-1998	Rated pressure	-0.585 bar
检验和实验	GB/T13927-2005	Body pressure	0.6 MPa
公称压力	PN16	Surge frequency	20 times/h
实验密封压力	1.76MPa	Voltage fluctuation	0.85 - 1.1 Ue
实验壳体压力	2.4MPa	Temp. rise	Less than 30 K
适用温度	≤ 125° C	Flange connection	EN1092
适用介质	泥浆 / 污水 / 纸浆	Start current	15 A within 1 s



1.	阀体	CF8
2.	阀座	NBR
3.	阀板	SS304
4.	螺丝	不锈钢
5.	上盖	CF8
6.	阀杆	SS304
7.	连接支架	WCB
8.	支架	A3
9.	气动装置	组合件
10.	螺丝	25 号钢

1.	Body	CF8
2.	Seat	NBR
3.	Disc	SS304
4.	Bolts	SS
5.	Bonnet	CF8
6.	Stem	SS304
7.	Yoke	WCB
8.	Bracket	A3
9.	Pneumatic	Assbly.
10.	Bolts	Steel 25#



SME

BREAKER

in Uzbekistan



一秒瞬间启闭

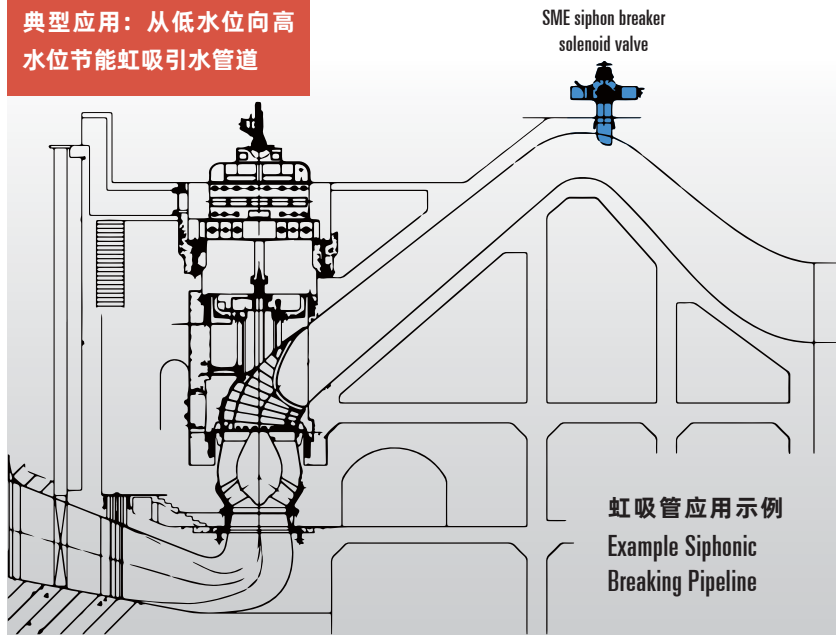
电磁开合与泵机同步通断，保护泵机安全

Instantaneous operation, sync with siphonic pumps



晟江虹吸（真空）破坏阀是我司专利产品，在虹吸式输水管道起快速闸门作用，安装在输水管道的制高点；同水泵同步通、断电，属断电开阀型产品。

典型应用：从低水位向高水位节能虹吸引水管道



水泵一旦断电，阀的电气控制系统也同步断电→阀瓣开启→大气涌入阀体→破坏管道内虹吸现象→分流退水，防止水流倒灌会产生主机的叶轮飞逸的事件，故它是保护主机安全运行不可缺少的重要设备。

- 1 秒瞬间开启
- 常开型超长待机
- 0.8Ue 电压波动
- DN800 超大口径
- 100% 连续工作
- 手轮辅助

- Start within 1 sec
- Open type stand-by
- Fluctuation 0.8 Ue
- Large dia. DN800
- No restart necessary
- Emergency manual



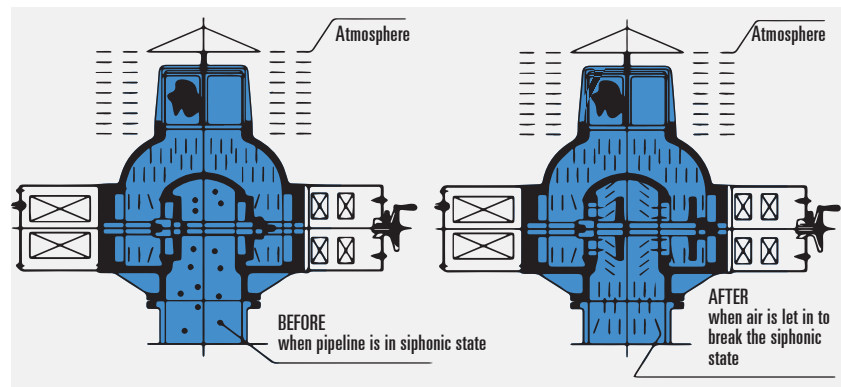
常超待机，随时启动
常开型待机方式，适合
长期运行
Longest stand-by and
operation without fail



晟江专利虹吸破坏阀由我司自行研制，原理与设计生产标准按厂标 SME208，主体标准参考国内外通行惯例，法兰标准参考 EN1092。

SME siphon breaker valve series are the patented products, designed and produced in compliance with manufacturer's standard SME208, within framework of prevailing industrial guidelines, flange connection per EN1092.

电磁通电持续率	100%	Magnet energization	100%
额定工作电源	220V AC 50Hz	Rated power	220V AC 50Hz
额定工作压力	-0.585 Bar	Rated pressure	-0.585 bar
壳体设计压力	0.6 MPa	Body pressure	0.6 MPa
短时间操作频率	20 次 / 小时	Surge frequency	20 times/h
电压波动范围	0.85Ue - 1.1Ue	Voltage fluctuation	0.85 - 1.1 Ue
常态电磁铁温升	小于 30K	Temp. rise	Less than 30 K
连接法兰标准	EN1092	Flange connection	EN1092
电磁铁启动电流	15A 时间 1 秒	Start current	15 A within 1 s



晟江的虹吸（真空）破坏阀获得专利证书号码 ZL200520041922.3, ZL201220293667.1，最终用户或承包商必须保证在安装地点符合关于组装、电气连接、调试和操作的所有法律规定、指令、准则、国家法规和建议。

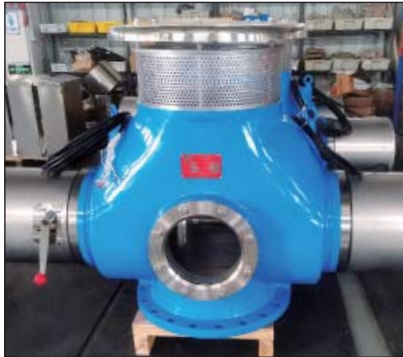
SME siphon breaker valve has been patent registered as in file no. ZL200520041922.3 and ZL201220293667.1, compliance required to be compliance with legal regulations.

压力平衡式虹吸破坏阀

HXDP DN250-450

Siphon Breaker Valves

HXDP DN250-450



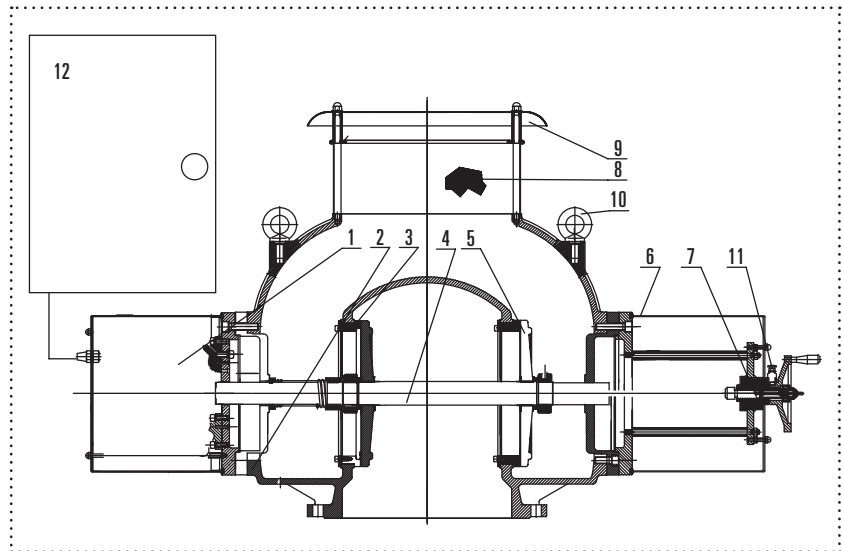
晟江专利虹吸破坏阀，是一种电磁压力平衡式虹吸管安全阀。阀门水腔同输水主管道相连接，空气腔和大气相通。通过开 / 关阀实现断 / 通流作业。虹吸破坏阀和水泵联动，可现场操作和远程控制。

关阀通流：阀门电气控制系统收到关阀指令后，电磁操作机构开始工作，阀轴向手动操作机构快速移动，阀瓣和阀座相密封。此时水腔和空气腔的大气被隔断，形成虹吸现象。

开阀断流：阀门电气控制系统收到开阀指令后，电磁操作机构不工作，在蓄能弹簧作用下，阀瓣向电磁操作机构移动，此时阀瓣和阀座分离打开，由于主管道内负压作用下大气经空气腔急速进入水腔，和主管道相通，破坏虹吸实现断流。

SME siphon breaker valve is a safety valve, protecting the water pump from backflow by syncing with pump and letting in sufficient air.

When the pump is switch on, the siphon breaker valve is closed (sealed) under electromagnet force; vice versa, breaker valve is opened under loaded spring force when the pump is turned off. In a siphonic pipeline, that's crucial and enhances the lifetime of pumps.



01. 主电磁机构	组合件	07. 首轮装置	组合件
02. 本体	QT400	08. 滤网	SS304
03. 阀座	SS304	09. 防尘盖	SS304
04. 阀杆	2Cr13	10. 起吊螺栓	35号钢
05. 阀座	SS304	11. 安全插销	2Cr13
06. 副电磁机构	组合件	12. 控制箱柜	SS304
01. Main E-magnet	Assbly.	07. Handwheel	Assbly.
02. Body	QT400	08. Strainer	SS304
03. Seat	SS304	09. Dust cap	SS304
04. Axle stem	2Cr13	10. Hanger	35#
05. Seat	SS304	11. Safety pin	2Cr13
06. Secondary E-magnet	Assbly.	12. Control box	SS304

压力平衡式虹吸破坏阀

HXDP DN500-800

Siphon Breaker Valves

HXDP DN500-800



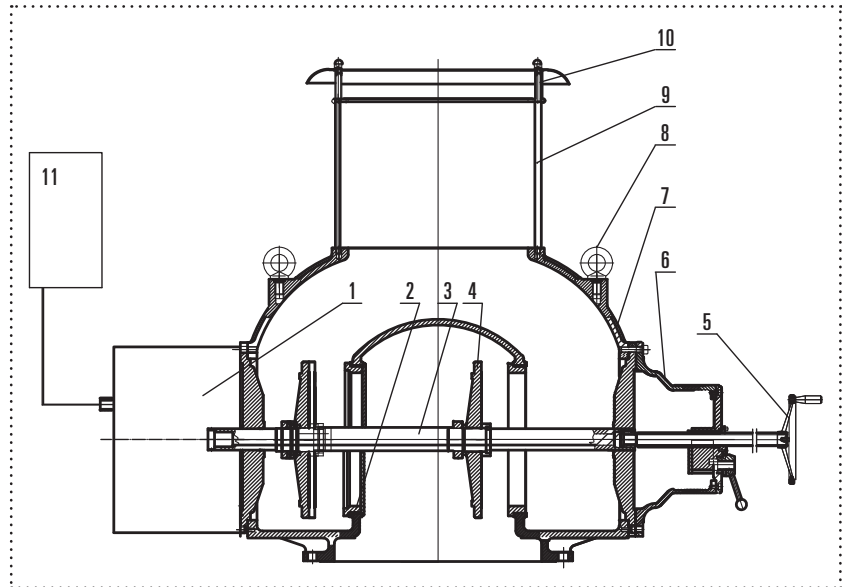
晟江专利虹吸破坏阀，是一种电磁压力平衡式虹吸管安全阀。阀门水腔同输水主管道相连接，空气腔和大气相通。通过开 / 关阀实现断 / 通流作业。

关阀通流： 阀门电气控制系统收到关阀指令后，电磁操作机构开始工作，阀轴向手动操作机构快速移动，阀瓣和阀座相密封。此时水腔和空气腔的大气被隔断，形成虹吸现象。

开阀断流： 阀门电气控制系统收到开阀指令后，电磁操作机构不工作，在蓄能弹簧作用下，阀瓣向电磁操作机构移动，此时阀瓣和阀座分离打开，由于主管道内负压作用下大气经空气腔急速进入水腔，和主管道相通，破坏虹吸实现断流。

SME siphon breaker valve is a safety valve, protecting the water pump from backflow by syncing with pump and letting in sufficient air.

When the pump is switch on, the siphon breaker valve is closed (sealed) under electromagnet force; vice versa, breaker valve is opened under loaded spring force when the pump is turned off. In a siphonic pipeline, that's crucial and enhances the lifetime of pumps.



01. 主电磁机构	组合件	07. 本体	QT400
02. 阀座	SS304	08. 起吊螺栓	35号钢
03. 阀杆	2Cr13	09. 滤网	SS304
04. 阀瓣	SS304	10. 防尘盖	SS304
05. 首轮装置	组合件	11. 控制箱柜	SS304
06. 开和机构	组合件		
01. Main E-magnet	Assbly.	07. Body	QT400
02. Seat	SS304	08. Hanger	35#
03. Axle stem	2Cr13	09. Strainer	SS304
04. Disc	SS304	10. Dust cap	SS304
05. Handwheel	Assbly.	11. Control box	SS304
06. Mounting unit	Assbly.		

立式虹吸破坏阀

HXDP DN100-250

Vertical Siphon Breaker Valves HXDP DN100-250

SME vertical siphon breaker valve is a safety valve of range DN100-250.

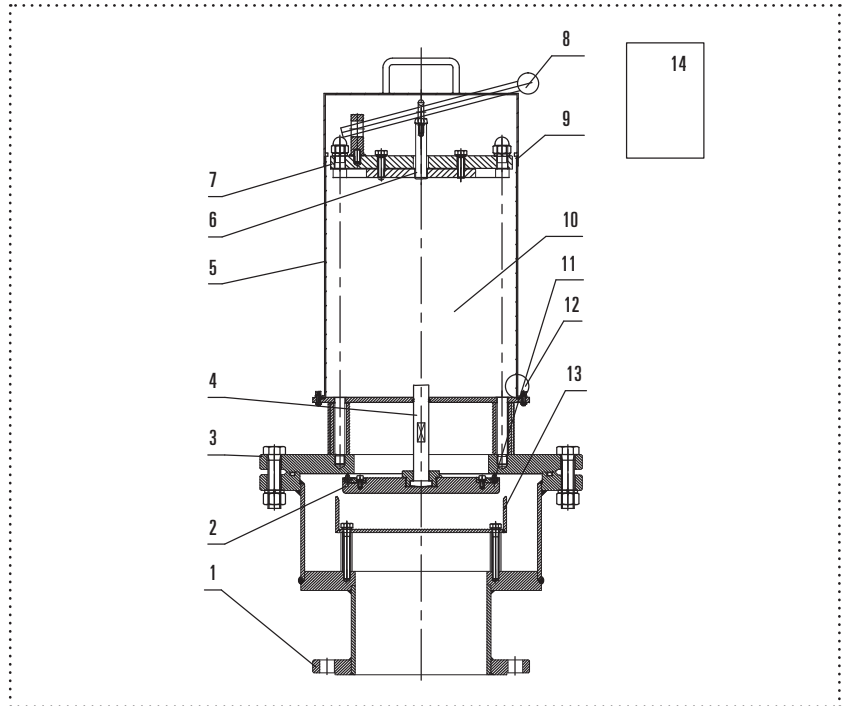
When the pump is switch on, the siphon breaker valve is closed (sealed) under electromagnet force; vice versa, breaker valve is opened under loaded spring force when the pump is turned off. In a siphonic pipeline, that's crucial and enhances the lifetime of pumps.



晟江专利立式虹吸破坏阀，水腔同输水主管道相连接，空气腔和大气相通。虹吸破坏阀和水泵联动，可现场操作和远程控制。

关阀通流：阀门电气控制系统收到运行指令后，电磁操作机构开始工作，此时阀轴向上快速移动，阀瓣和阀座相密封了，此时水腔和空气腔的大气被隔断，形成虹吸现象。

开阀断流：阀门电气控制系统收到停止指令后，电磁机构不工作，在管道内负压和阀瓣自重作用下，阀瓣向下移动，阀瓣和阀座分离打开，由于主管道内负压作用下大气经空气腔急速进入水腔，和主管道相通，破坏虹吸实现断流。



01. 本体	SS304
02. 阀瓣	SS304
03. 中法兰	SS304
04. 阀杆	2Cr13
05. 保护罩	SS304
06. 推动杆	SS304
07. 上装法兰	SS304

01. Body	SS304
02. Disc	SS304
03. Mid flange	SS304
04. Axle stem	2Cr13
05. Cover	SS304
06. Push rod	SS304
07. Top-mount flange	SS304

08. 紧急开阀手柄	SS304
09. 上盖	SS304
10. 电磁制动机构	SS304
11. 阀瓣密封件	SS304
12. 阻尼挡板	SS304
13. 电缆接头 M28×1.5	PE
14. 控制箱	SS304

08. Emergency lever	SS304
09. Top cover	SS304
10. E-magnet braker	SS304
11. Disc seal	SS304
12. Damper	SS304
13. Cable M28×1.5	PE
14. Controller box	SS304

压力传感装置
PLC 程序
UPS 电源
保温系统



虹吸破坏阀的可选功能

Plug-in options

上海晟江生产的虹吸破坏阀，新增可选功能或插件，包含压力传感装置、PLC 程序、UPS 电源以及保温系统等（费用详询销售）。

SME siphon breaker valve can be plugged in with additional functions, including pressure sensor and transmitting tools, PLC programming, UPS power and insulation protection covers.

压力传感装置

Pressure sensor transmitting tools

管道内真空压力值输出，给中控室。观察检测用途。

The vacuum pressure value in the pipeline is output to the central control room for the purpose of detection.





保温系统

Insulation protection

阀门自动保温系统，在冬天气温下降到零下 10°C，由于管道内有雾气水会聚集在阀门内容易结冰，防止阀门轴密封被冻，在北方地区增加这个功能。可以自动调节。上图为出口俄罗斯远东地区泵站，室外用的阀门。

Automatic valve insulation system, in winter, the temperature drops to minus 10°C. Because of the mist in the pipeline, water will accumulate in the valve and easily freeze to prevent the valve shaft seal from being frozen. This function is added in the northern region. Can be adjusted automatically. The image above was the valves for outdoor use project in Far East Pump Stations in Russian.

PLC 程序

PLC programming

晟江阀门还可以附加 PLC 程序，可以在停泵时候防水锤设计，防止一些泵站倒流水过大引起的管道震动。

PLC programming is optional now. It can be designed with a waterproof hammer when pump stops. That is applied to prevent vibration from excessive backflow.



UPS 电源

UPS power supply

阀门设计带 UPS 电源，防止虹吸破坏阀运行过程中，系统电源故障，出现误动作。
The valve can also be designed with UPS power supply to prevent the siphon from destroying the valve during operation, and the system failure or malfunctions.



膜瓣式虹吸破坏阀，旁通管

Membrane operated siphon breaker valve, w/branchpipe



晟江膜瓣式虹吸破坏阀，垂直安装在管路制高点，用于防止虹吸管出水管路道的回流风险。阀门由一个 3/2 路电磁阀控制。旁通管式含旁通阀兰排气管，配紧急手动进气阀。

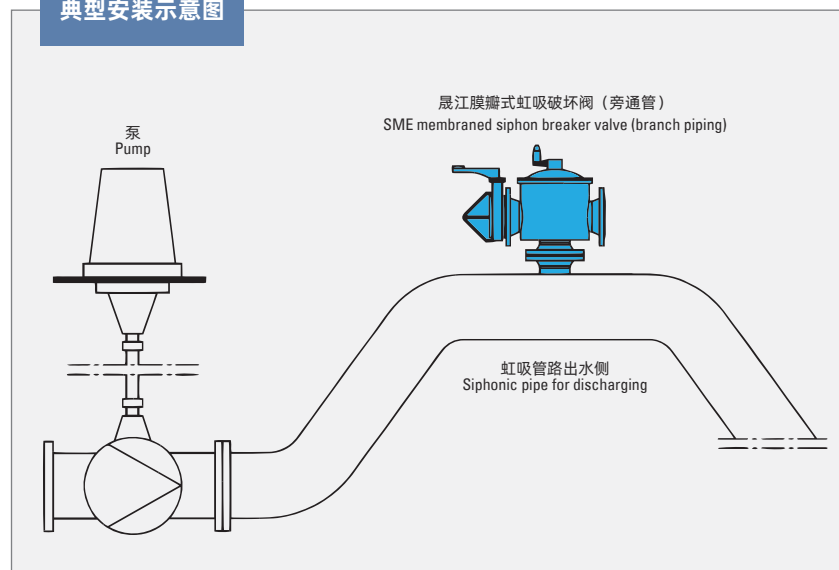
泵机启动、输水管道增压时，压力顶开阀门膜瓣排出过压，阀门一端与大气连通。反过来，当管内部出现真空时，膜瓣受压吸附形成密封。

SME membrane structured breaker valve, installed vertically at high end, is used to prevent backflow from the siphonic discharge pipelines. The valve is operated with a 3/2-way solenoid valve. Branchpiping includes flanged exhaust branchpipe, and manual aerating valve in case of emergency.

The valve membrane disc is releasing the excessive air from its back side as joined to the atmosphere when the pipe is pressurized and filled. The other way around, the valve seals at the vacuum pressure inside.

额定电压	230 V	Voltage	230 V
额定电频	50/60 Hz	Frequency	50/60 Hz
工作压力	PN 10 / 1.0 MPa	Pressure	PN 10 / 1.0 MPa
公称通径	50~400 mm	DN	50~400 mm
适用介质	水	Media	Water
法兰标准	DIN 2501	Flange	DIN 2501

典型安装示意图

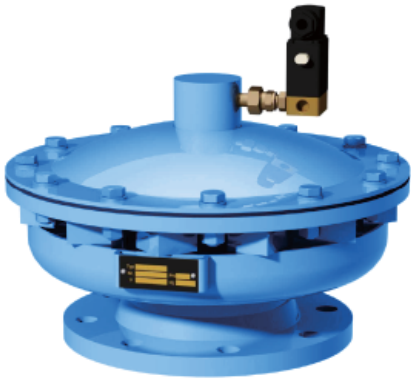


1. 阀体	镀锌钢、不锈钢	1. Body	Galvanized steel, SS
2. 阀盖	铸铁镀锌、不锈钢	2. Bonnet	Galv. cast iron, SS
3. 膜瓣	NBR、氟橡胶	3. Membrane	NBR, Viton
4. 阀座	不锈钢	4. Seat	Stainless steel

DN	A	B	C	H1	K	L	M	P
100	100	100	100	530	180	400	230	G 1/4"
150	150	150	150	550	200	460	260	G 1/4"
200	200	200	200	625	235	520	280	G 1/4"

膜瓣式虹吸破坏阀，气孔式

Membrane operated siphon breaker valve, air slotted



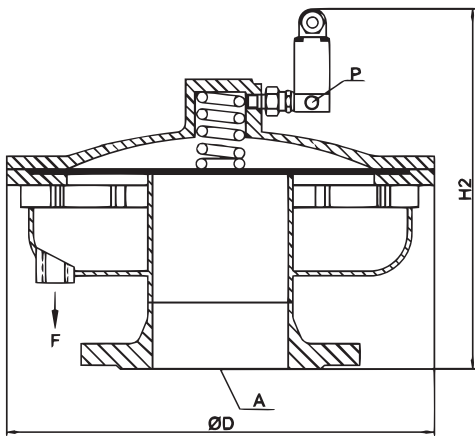
晟江膜瓣式虹吸破坏阀，垂直安装在管路制高点，用于防止虹吸管出水管路道的回流风险。阀门由一个 3/2 路电磁阀控制。气孔式含管路闭合时能微量排气的气孔，适用露天管路。

泵机启动、输水管道增压时，压力顶开阀门膜瓣排出过压，阀门一端与大气连通。反过来，当管内部出现真空时，膜瓣受压吸附形成密封。

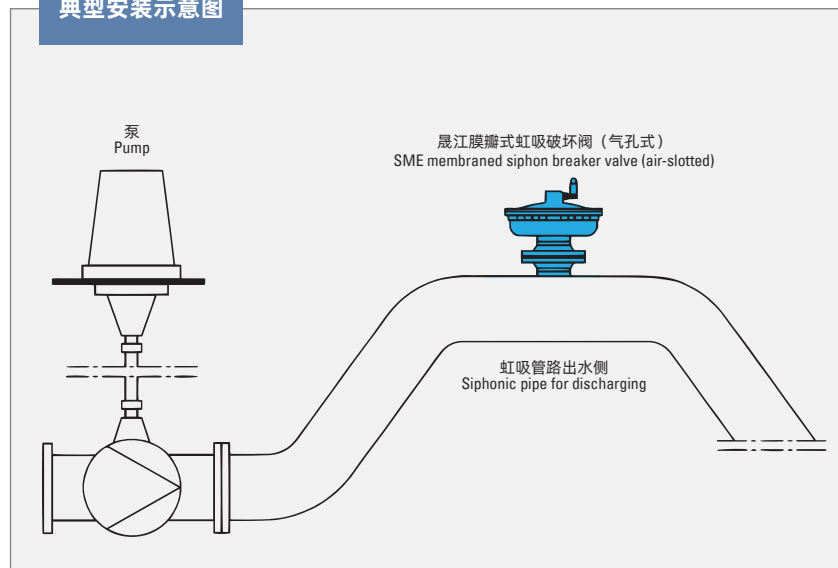
SME membrane structured breaker valve, installed vertically at high end, is used to prevent backflow from the siphonic discharge pipelines. The valve is operated with a 3/2-way solenoid valve. The air slotted includes slots to release a small amount of air during the process of closing, esp. in the open-air installaion.

The valve membrane disc is releasing the excessive air from its back side as joined to the atmosphere when the pipe is pressurized and filled. The other way around, the valve seals at the vacuum pressure inside.

额定电压	230 V	Voltage	230 V
额定电频	50/60 Hz	Frequency	50/60 Hz
工作压力	PN 10 / 1.0 MPa	Pressure	PN 10 / 1.0 MPa
公称通径	50~400 mm	DN	50~400 mm
适用介质	水	Media	Water
法兰标准	DIN 2501	Flange	DIN 2501



典型安装示意图



1. 阀体	镀锌钢、不锈钢	1. Body	Galvanized steel, SS
2. 阀盖	铸铁镀锌、不锈钢	2. Bonnet	Galv. cast iron, SS
3. 膜瓣	NBR、氟橡胶	3. Membrane	NBR, Viton
4. 阀座	不锈钢	4. Seat	Stainless steel

DN	A	D	F	H2
100	100	360	G 1/2"	310
150	150	390	G 1/2"	330
200	200	440	G 1/2"	390



晟江产品的使用业绩
ENDORSEMENT

江苏南水北调泗阳泵站

2011年5月

Siyang pumping station
for South-to-North water
diversion in Jiangsu
Province, May 2011

南水北调东线江苏水源有限责任公司

East Route of South-to-North Water Diversion Jiangsu Source Company, Ltd.



大连红沿河核电站
2009年

Dalian Hongyanhe nuclear power station, Liaoning Prov., 2009

中国核工业华兴建设有限公司

China Nuclear Industry Huaxing Construction Co. Ltd



福建宁德核电站
2009年

Ningde nuclear power station, Fujian Prov., 2009

广东大亚湾核电运营管理有限公司

Daya Bay Nuclear Power Operation Management Co. Ltd



南水北调山东邓楼泵站

2011年2月

**Denglou pumping station
for South-to-North water
diversion in Shandong
Province, Feb. 2011**

南水北调东线山东干线有限责任公司

East Route of South-to-North Water Diversion Shandong Main Line Company, Ltd.



南水北调淮安二站

2012年5月

**Huai'an 2nd pumping
station for South-to-North
water diversion in Jiangsu
Province, May 2012**

南水北调东线江苏水源有限责任公司

East Route of South-to-North Water Diversion Jiangsu Source Company, Ltd.



新疆博斯腾湖泵站
2012年6月

**Bosten lake pumping station
in Xinjiang autonomous
region, Jun. 2012**

库尔勒市水务局

Korla City Water Affairs Bureau



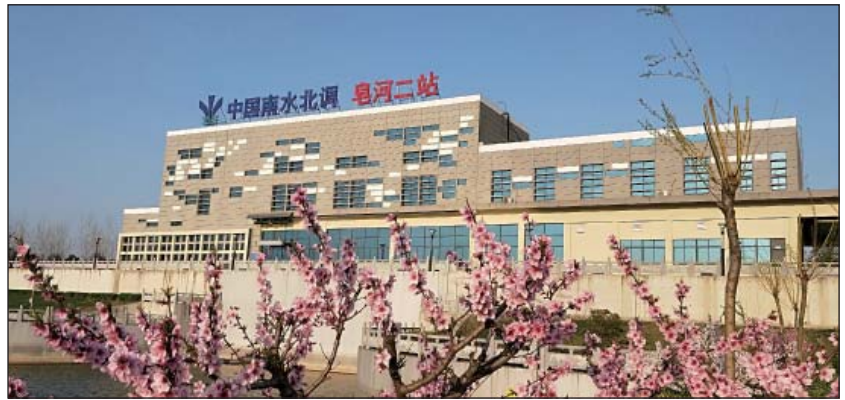
南水北调江苏皂河泵站

2012年5月

**Zaohe pumping station
for South-to-North water
diversion in Jiangsu
Province, May 2012**

南水北调东线江苏水源有限责任公司

East Route of South-to-North Water Diversion Jiangsu Source Company, Ltd.



南水北调金湖石港泵站

2014年2月

**Jinhu Shigang pumping
station for South-to-North
water diversion in Jiangsu
Province, Feb. 2014**

南水北调东线江苏水源有限责任公司

East Route of South-to-North Water Diversion Jiangsu Source Company, Ltd.



南水北调江苏洪泽湖泵站
2014年1月

Hongze lake pumping station for South-to-North water diversion in Jiangsu Province, Jan. 2014

南水北调东线江苏水源有限责任公司

East Route of South-to-North Water Diversion Jiangsu Source Company, Ltd.



黑龙江青龙山农场渠首灌渠
2016年7月

Head pumping station for irrigation in Qinglong mountain in Heilongjiang Province, Jul. 2016

黑龙江佳木斯青龙山灌区管理局

Qinglongshan Irrigation District Administration of Jiamusi, Heilongjiang



广东省东莞市雁田泵站
2019年

Yantian pumping station in Dongguan, Guangdong Province, 2019

广东粤港供水有限公司

Guangdong Yuegang Water Supply Company, Ltd.



江苏扬州瓜洲泵站

2020年

Guazhou pumping station in Yangzhou, Jiangsu Province, 2020

扬州市水利局

Yangzhou Water Resources Bureau



黑龙江青龙山灌区中站

2020年

Mid pumping station for irrigation in Qinglong mountain in Heilongjiang Province, 2020

黑龙江佳木斯青龙山灌区管理局

Qinglongshan Irrigation District Administration of Jiamusi, Heilongjiang



黑龙江青龙山灌区南站
2020年

**South pumping station
for irrigation in Qinglong
mountain in Heilongjiang
Province, 2020**

黑龙江佳木斯青龙山灌区管理局

Qinglongshan Irrigation District Administration of Jiamusi, Heilongjiang



武汉江南泵站

2020年

**Wuhan Jiangnan pumping
station, 2020**

武汉飞虹建设监理有限公司

Wuhan Feihong Construction Supervise Co. Ltd



丰县郑集河梁寨闸站
2020年

**Liangzhai gate station by
Zhengji river at Feng county,
Jiangsu Province, 2020**

徐州水利局

Xuzhou Water Resources Bureau



江苏刘老涧泵站
2020年

**Liulaojian pumping station
in Jiangsu Province, 2020**

南水北调东线江苏水源有限责任公司

East Route of South-to-North Water Diversion Jiangsu Source Company, Ltd.



江苏徐州刘山泵站
2020 年

**Liushan pumping station in
Xuzhou, Jiangsu Province,
2020**

徐州水利局

Xuzhou Water Resources Bureau



(海外) 乌兹别克斯坦
Kizil Tepa 泵站
2020 年

**(abroad) Kizil Tepa pumping
station in Uzbekistan, 2020**

乌兹别克斯坦共和国农业与水资源部

Ministry of Agriculture and Water Resources of the Republic of Uzbekistan



安徽调水工程龙德泵站 2021年

Longde pumping station for
water diversion in Anhui
Province, 2021

引江济淮工程 (安徽段) 江水北送段

Water Diversion from the Yangtze River to the Huaihe River (Anhui Section)

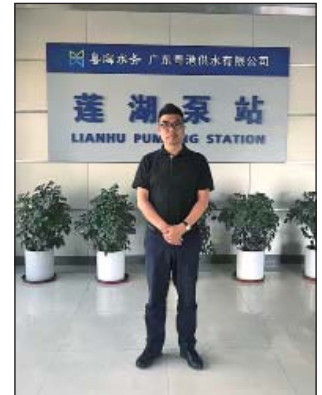


广东粤港供水莲湖泵站 2021年

Lianhu pumping station for
Yuegang water supply in
Guangdong Province, 2021

广东粤港供水有限公司

Guangdong Yuegang Water Supply Company, Ltd.



江苏省南水北调江都泵 站 1 站 2021年

Dujiang pumping station
No.1 for South-to-North
water diversion in Jiangsu
Province, 2021

南水北调东线江苏水源有限责任公司

East Route of South-to-North Water Diversion Jiangsu Source Company, Ltd.



**江苏省南水北调江都泵
站四站**
2021 年

**Dujiang pumping station
No.4 for South-to-North
water diversion in Jiangsu
Province, 2021**

南水北调东线江苏水源有限责任公司

East Route of South-to-North Water Diversion Jiangsu Source Company, Ltd.



**江苏省南水北调淮阴泵
站**
2021 年

**Huaiyin pumping station
for South-to-North water
diversion in Jiangsu
Province, 2021**

南水北调东线江苏水源有限责任公司

East Route of South-to-North Water Diversion Jiangsu Source Company, Ltd.



**山东省调水工程宋庄寿
光泵站**
2021 年

**Shouguang pumping station
at Song county for water
diversion in Shandong
Province, 2021**

山东省调水工程运行维护中心寿光管理站

Shouguang Administration of Shandong Water Diversion



长江泵站 2021年

Yangtze River pumping station, 2021

上海城投原水有限公司

Shanghai Chengtou Raw Water Company, Ltd.



武汉大军山泵站

2021年

Wuhan Dajun mountain pumping station, 2021

武汉市水利和湖泊局

Wuhan Municipal Water Resources and Lakes Bureau



鄂州顺丰机场花马湖泵站
2021 年

鄂州市水利和湖泊局

E'zhou City Water Resources and Lakes Bureau

**Huama lake pumping station
by E'zhou shunfeng airport,
2021**



武汉蔡甸什湖西泵站
2021 年

武汉市蔡甸区水务和湖泊局

Water Affairs and Lakes Bureau of Caidian District, Wuhan City

**West Shihu pumping station
Caidian District Wuhan City,
2021**



上海黄浦江水厂
2021 年

**Shanghai Huangpu River
Water Plant**

为上海黄浦江水厂提供现场服务，下到阀门井地下 25 米地方安装场景

Down to 25 meters underground of a valve shaft for the site installation at Shanghai Huangpu River Water Plant.



DN800

**世界现有最大口径虹吸
阀在海外项目调试成功**

乌兹别克斯坦

晟江虹吸阀在乌兹别克斯坦泵站调试成功